

Diameter : 80 mm
 Speed : 6.8 to 11.4 m/min
 Length : 328 to 600 mm

DRIVE AN AVERAGE LOAD OF 120KG PER LINEAR METER OF CONVEYOR

INTENSIVE USE : STEEL GEAR UNIT FOR +20 000 H OF LIFE SPAN

WITHOUT MAINTENANCE

SILENT (<47 DBA AT 80% OF LOAD)

APPLICATIONS :

- CHECKOUT COUNTERS
- MACHINES CONVEYORS

TECHNICAL FEATURES :

- ASYNCHRONOUS MOTOR
- PERMANENTLY LUBRICATED
- THERMAL CUT-OUT (155°C)
- PLASTIC END FITTINGS
- ALUMINIUM TUBE
- CLASSE F INSULATION
- IP66 PROTECTION
- WORKING TEMPERATURE :
-10°C à +40°C
- RELATIVE HYGROMETRY UNTIL 95%

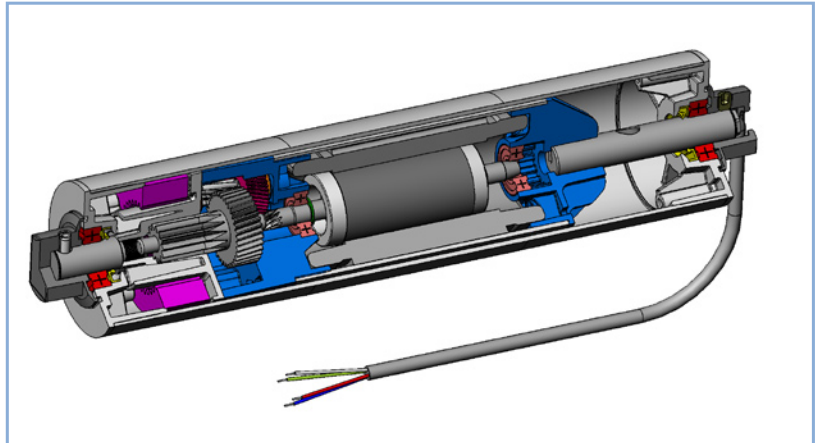
OPTIONS AVAILABLE ON DEMAND:

- SPECIFIC COATING
- GEOMETRY OF THE TUBE : (CYLINDRICAL, BI-CONIC SECTION, BI-TAPERED)
- DRUM LENGTH
- CABLE LENGTH
- SPECIFIC VOLTAGES AND FREQUENCIES
- SPECIFIC CONNECTORS

COMPLIES WITH THE STANDARDS :

- EN 60034-1
- CE

MOTORIZED DRUM Ø80

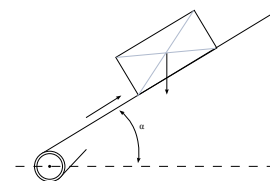


INSTALLATION AND USING RECOMMENDATIONS

To adjust the tension of the conveyor belt :

Switch on the conveyor with the maximum load on the belt. Tight the belt until the load moves. Finish the adjustment by the tightening of screws while keeping the belt centered

Angle of the belt :

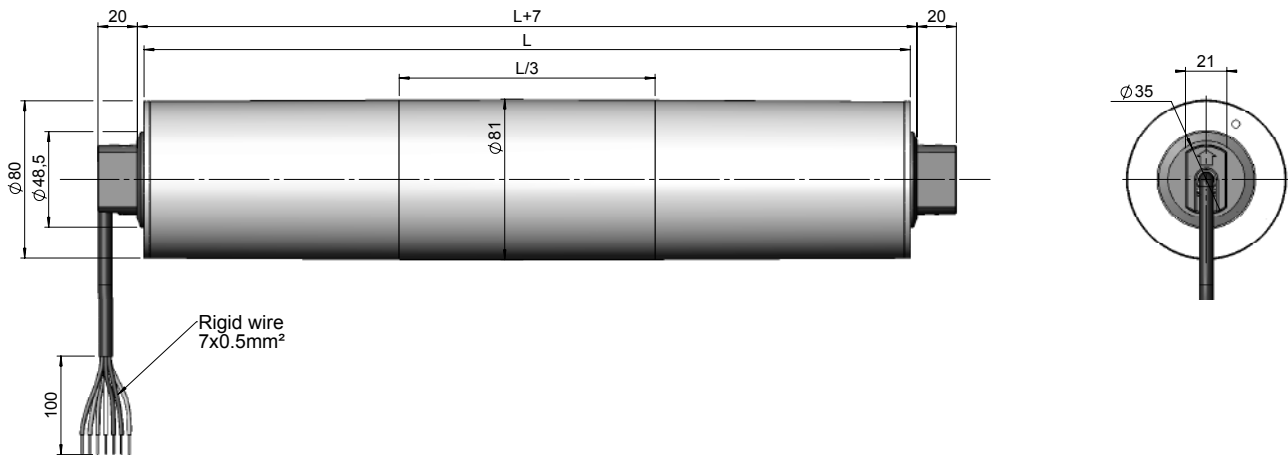


Angle in degree	0	5	10	20	30	45
% of the conveyed load	-	72	64	50	34	16

Drum designation

RL	080	466	GM	4	1/39
Drum motor symbol	Diameter	Length in mm	xM = Single phase motor	Number of poles	Reduction ratio

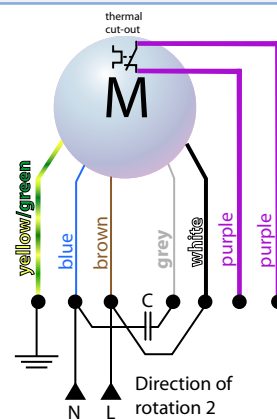
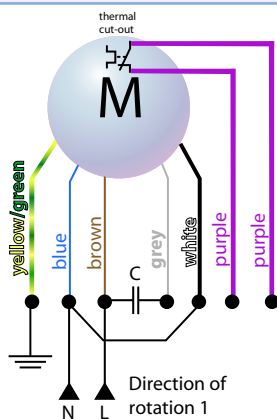
BULK DIMENSIONS



Diameter & Type (mm)	Output power (watts)	Linear speed		Reduction ratio	Torque (Nm)	Maximum load (Kg)	Belt Pull (N)	Tube length (mm)	Service class	Intensity & Capacitor
		(m/s)	(m/min)							
Motors 230V - 50Hz										Single phase
Ø80	85W	0,11	6,8	1/50	27,5	133	679	>342 mm to 600 mm	S3 50% of 6s	1 A 6µF (Type GM4 Standard)
		0,13	7,8	1/43,3	23,8	115	588			
		0,14	8,7	1/39	21,5	104	530			
		0,19	11,3	1/30	16,5	80	408			

ELECTRICAL DIAGRAMS

Single phase 230 V - 50 Hz

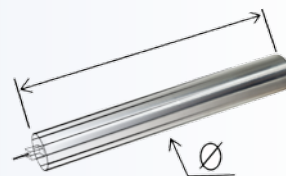


- Do not use the drum motor without belt (risk of overheating)
- Do not vulcanize the drum motor
- Connect the thermal switch in series with the supply of the coil from the motor contactor
- The conveyor length must not exceed 2 meters

SIREM can make your drum according to your project requirements.

For a request of quotation fill the form below and fax it to +33 478.55.83.19

(also available on our website www.sirem.fr to *Products/Drum motors*).



DATE : _____ COMPANY : _____ TOWN/CITY : _____
LAST NAME : _____ POSTCODE : _____
REF : _____ FIRST NAME : _____ COUNTRY : _____
POSITION : _____ ACTIVITY : _____
EMAIL : _____ TEL : _____
ADDRESS : _____ FAX : _____

Your application :

- Scrolling billboard
- Supermarket check out
- Belt conveyor
- Others

Describe your application : _____

Geometry :

- Bi-tapered Cylindrical
- Bi-conic section Indifferent

Tube finish :

- Zinc plated Aluminium
- Not galvanized steel Indifferent
- Stainless steel
- Specific coating

Stipulate : _____

Characteristics of the conveyor :

- Length of the belt (mm) : _____
- Width of the belt (mm) : _____
- Weight to be drawn (kg) : _____
- Belt speed (m/s) : _____
- Usage continuous
- Intermittent - Stipulate : _____

Power supply :

- Single phase 24 volts DC 50 Hz
- Three phase 110 volts 60 Hz
- 230 volts
- 380 volts
- Frequency inverter

Environment

- Specific standards
- Name the standards : _____
- Specific constraints
- Stipulate the constraints : _____
- Protection index : IP _____
- Temperatures : Mini (°C) : _____
- Maxi (°C) : _____
- Dusty
- Damp

Connector technology

- Axial output
- Radial output
- Specific connector
- Stipulate : _____
- Cable length (mm) : _____

End fittings

- Plastic Aluminium
- Space dampers
- None

Tube :

- Length of drum (mm) : _____
- Diameter (mm) :
- Ø57 Ø89
- Ø72 Ø110
- Ø80 Ø115

Quantity : _____ pieces

Complementary information : _____

