



Incremental Optical Encoder with hollow through shaft



Main features

PRECILEC optical incremental encoders are designed for accurately measuring speed and position of rotating shafts in industrial environment: machine tools, packing machines, motor drives...

They use a differential optical and ratio metric principle to minimize temperature and photodiode aging effects.

Their universal complementary push-pull output interface and their large supply voltage range make them very easy to connect to most of electronic control units with high noise immunity.

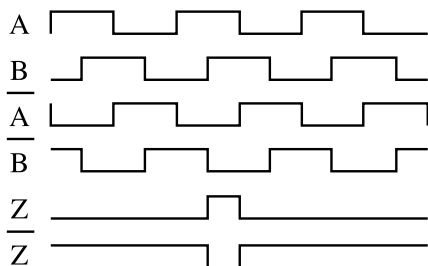
● Shaft type	4mm, 6mm, 1/4 inch stainless steel hollow through shaft
● Housing diameter	40mm
● Fixation	Spring plate
● Body	Aluminium
● Pulses per turn	Standard 1024, 2048. Others on request, max 2500
● Output signals	A and B with gated Z
● Termination	Radial cable
● Operating temperature range (encoder body)	- 25° C / + 85° C

Electrical characteristics

● Supply voltage	4,5 to 30V DC with reverse polarity protection
● No load supply current	100mA under 4.5V – 25mA under 24V
● Output signals	Universal complementary push pull, short circuit protected (7272) RS422 compatible with 5V supply voltage
● Max output frequency	300 kHz
● Max load current per channel	20mA
● EMC	According to EN 61000-6-2 and EN 61000-6-4

● Output waveforms:

A leads B for clockwise rotation from front size



	Connections
Cable	
A	white
A	yellow
B	blue
B	orange
Z	green
Z	brown
Vcc:	red
OV:	black
Ground case	Drain

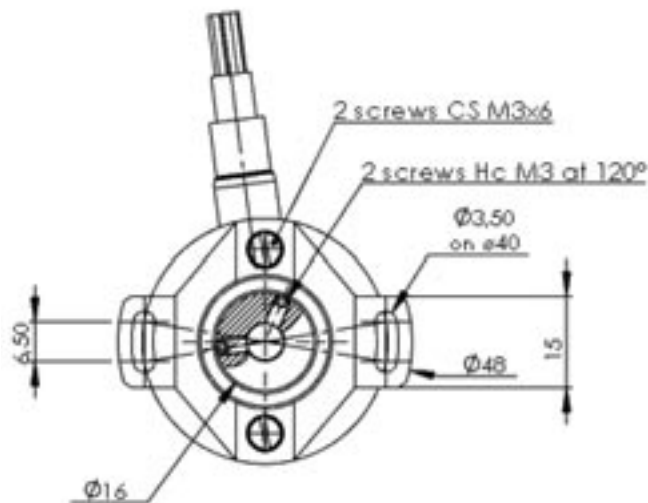
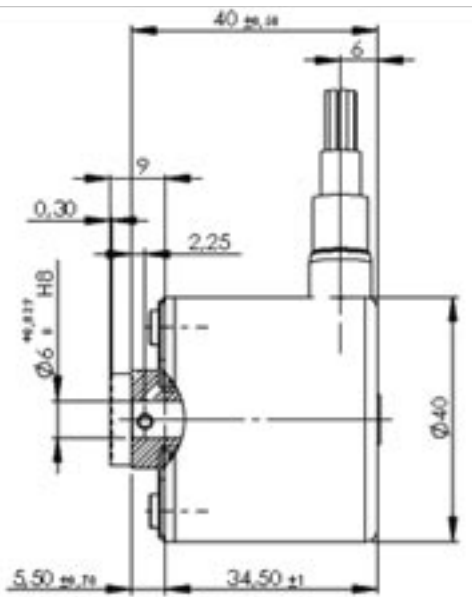
Cable: 8 AWG24 (0.22mm²) wires globally shielded, UL approved

Mechanical characteristics

● Max speed	6000rpm
● Starting torque	≤ 0.5N.cm
● Inertia	6.5gr.cm ²
● Weight	100gr
● Protection	IP64 at shaft inlet, IP 65 at housing (IEC 60529)
● Max shock	100g, 6ms (IEC 68-2-27)
● Max vibrations	10g, 10-2000Hz (IEC 68-2-6)



Outline drawings



Ordering codes

RCI 40A - HSx - xxxx - x

HSx:
Hollow shaft

- HS1:** 4mm*
- HS2:** 6mm
- HS3:** 1/4 inch

*with reducing ring

xxxx:
Pulses per turn

- 1024**
- 2048**

Other resolutions on request, from 0001 to 2500

x:
Termination

- 1:** cable, one meter standard length.
- Other lengths on request, from 0.5 to 10 meters. Beyond 10 meters a cable with twisted pairs must be used.

Rev B, 23/02/06 - We reserve the right to modify technical characteristics in the interest of technological advance.



PRECILEC

6 avenue des Andes - Bâtiment 5 - 91940 Les Ulis Cedex - FRANCE
Phone: +33 (0)1 69 80 67 04 - Fax: +33 (0)1 69 80 67 08 - E-mail: precilec@zodiac.com

www.precilec.com