

TYPE

RE.0 444 L

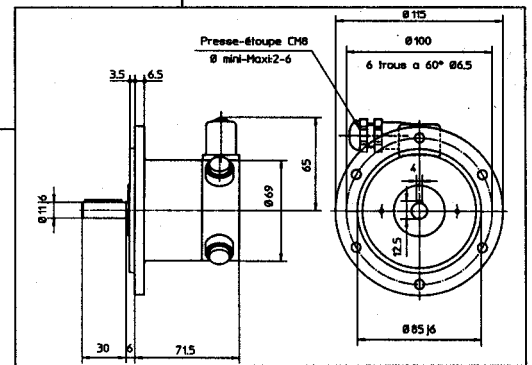
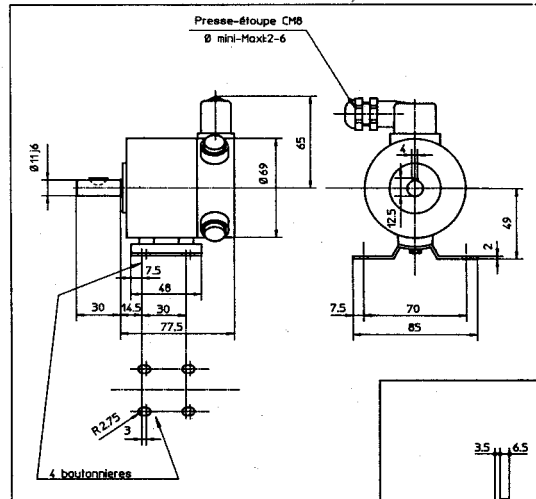


**DESTINATION**

- Industrial application
- Control and regulation

**DESCRIPTION**

- DC tachogenerator
- Small size
- Connector
- 1 – commutator-version



Weight	kg	1,0
--------	----	-----

**GENERAL DATA**

Designation	Symbol	Unit	Value	
Maximum speed (mechanical)	$n_m$	rpm	8000	
Moment of inertia	J	Kg cm <sup>2</sup>	0,62	
No load driving torque	$M_r$	N. cm	0,4	
Maximum radial shaft stress	F	da N	0,4 Ø 7 mm	1,0 Ø 11 mm
Maximum E.M.F.	$E_m$	V	300	
Maximum linearity error	$\Delta E$	% $E_T$	≤ 0,15	
Overall ripple rate (peak to peak)	$\Delta E_C$	% $E_C$	≤ 1	
Rotation harmonics (f = 2 p. n.)	$\Delta E_P$	% $E_C$	≤ 0,3	
Slot harmonics (f = Z. n.)	$\Delta E_Z$	% $E_C$	≤ 0,7	
Calibration precision	$\Delta E_0$	% $E_{T0}$	± 1,5	
E.M.F. temperature drift - not compensated - compensated	$\Delta E_e$	% /°C	0,03	
Time constant	$C_t$	ms	0,2	
*Filter: Time constant	RF x CF	ms	1,0	
Load current	$I_c$	mA	3	
Speed	n	rpm	3000	

Construction details	
Number of poles	4
Number of armature slots	33
Number of collector blades	33
Insulation class	B (IEC 34-1)
Operating temperature	-20° - 80 °C
Climatic protection	C <sub>a</sub> (IEC 68-1)
Protection degree	IP 44 (IEC 34-5)
Direction of rotation	Reversible
Excitation	Permanent magnets Alnico

\* Filter-connecting diagram on demand

Rev.: 02

We reserve the right to modify technical features in the interest of technical advance.

**DESTINATION**

- Industrial application
- Control and regulation

**DESCRIPTION**

- DC tachogenerator
- Small size
- Connector
- 1 – commutator-version

TYPE  
RE.0444 L

### Mechanical options

### Shaft ends and bearings

	Mounting side			Opposite mounting side		
	D (mm)	L (mm)	Bearings	D (mm)	L (mm)	Bearings
Standard	7 / 11	30	8 x 22 x 7 ZZ / 12 x 28 x 8 ZZ			8 x 22 x 7 ZZ
Max.	14	-	15 x 32 x 9 ZZ			8 x 22 x 7 ZZ

### Options

- With sealing ring (IP 55)
- Special flange

### Markings and polarity of terminals (cables) for counter-clockwise rotation viewing the mounting face

1 collector		A1 : +	A2 : -

### Available options on 2nd shaft end

### Electrical options

				Min				Max.						
E.M.F. at 1000 rpm.	$E_n$	V	1 coll.	20	30	40	50	60						
Voltage gradient	$C_v$	V/rpm	1 coll.	0,02	0,03	0,04	0,05	0,06						
Armature resistance	$R_a$	$\Omega$	1 coll.	26	50	68	106	160						
Max. thermal load	$I_{th}$	A	1 coll.	0,18	0,15	0,15	0,12	0,1						
Max. allowed speed	$n_a$	rpm	1 coll.	800	8000	7500	6000	5000						

### Brushes

Number	Size	Grade	Application limits	Reference
4	6 x 4 x 9,9	Electro graphite (EG)	STANDARD	60 - 40 - EG
		Silver-graphite (CA)	on request	60 - 40 - CA

Rev.: 02

We reserve the right to modify technical features in the interest of technical advance.