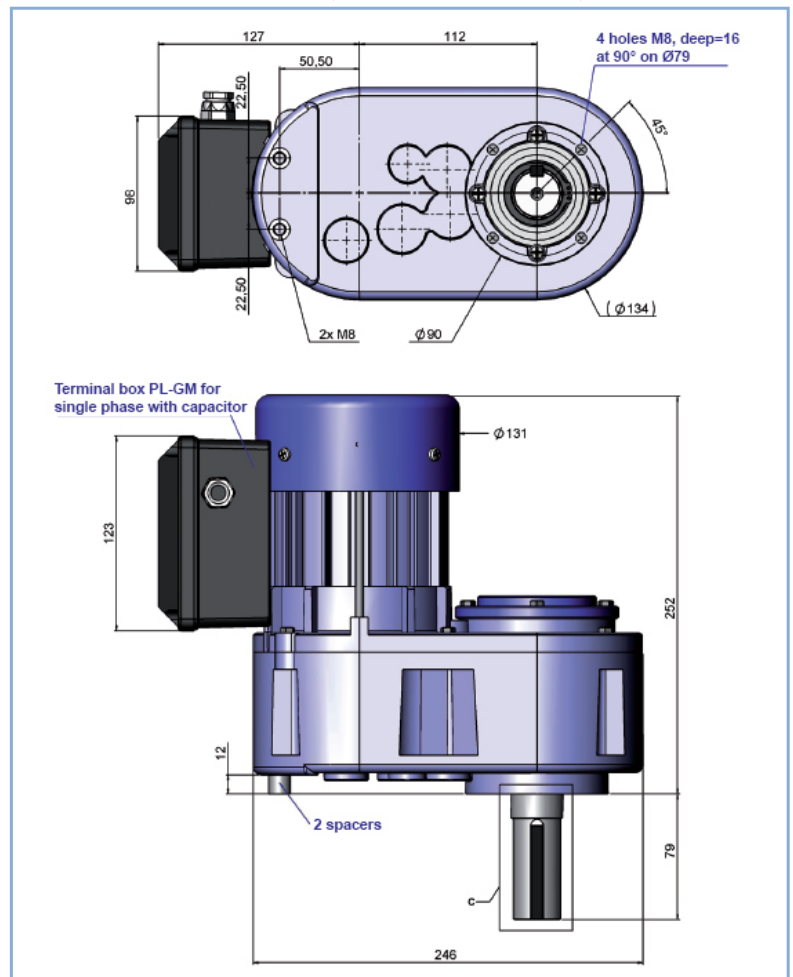
 6,6 to 130 RPM
2,8 to 17 daN.m

BULK DIMENSIONS (WITH FASTENING P0)



**REVERSIBLE GEARBOX WITH PARALLEL GEARS
MASSIVE OR HOLLOW SHAFT**

APPLICATIONS :

- AUTOMATIC GATES
- SOLAR TRACKERS
- RETRACTABLE BOLLARDS
- AGITATORS

TECHNICAL FEATURES :

- ASYNCHRONOUS MOTOR
- PERMANENTLY LUBRICATED
- THERMAL CUT-OUT
- 2 DIRECTION OF ROTATION
- CLASS B INSULATION
- IP44 PROTECTION
- WORKING TEMPERATURE :
-20°C TO +85°C
- RELATIVE HYGROMETRY UNTIL 95%

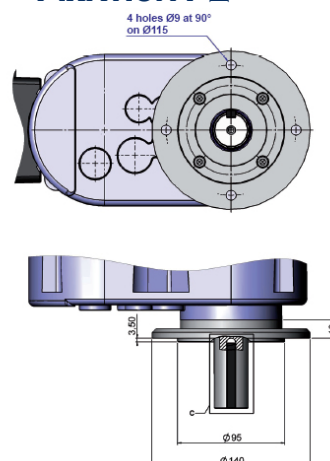
OPTIONS AVAILABLE ON DEMAND :

- INRUSH OR LACK OF CURRENT BRAKE
(24 V OR 230 V WITH DIODE RECTIFIER)
WITH OR WITHOUT MANUAL UNLOCKING
- VOLTAGES AND FREQUENCIES ON REQUEST
- CLASS F INSULATION
- IP55 PROTECTION
- OUTPUT SHAFT ACCORDING TO SPECIFICATIONS

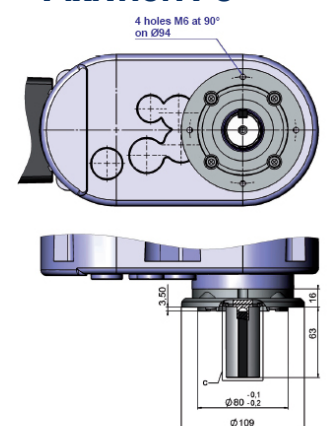
COMPLIES WITH STANDARDS :

- EN 60 335-1
- EN 60034-1
- CE

FIXATION P2



FIXATION P9



GEAR MOTOR DESIGNATION

R1C 250 P* B***

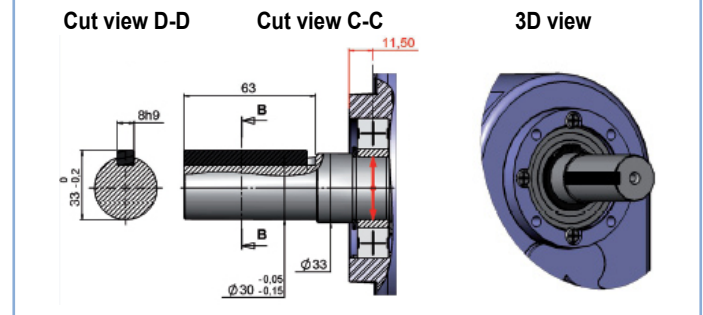
Additional designation	
B	product without additional designation
F	means fitted with brake

Mounting	
Gear type	Number of mounting
P	0 (hole on the front side) 2 (flange) 9 (flange)

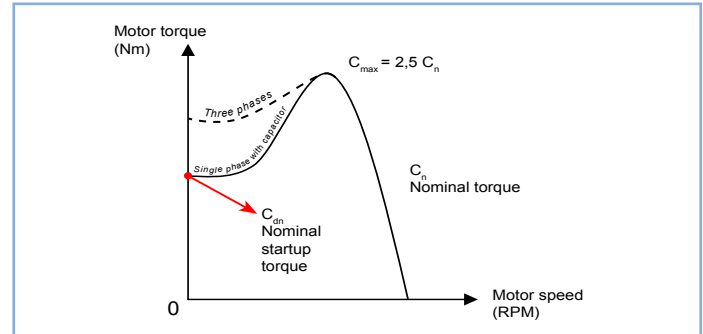
Motor	
Number of poles	Stator size (mm)
2	50

Type of motor	
R1C	single phase motor with capacitor
R3	three phases motor

STANDARD MASSIVE SHAFT



CHARACTERISTIC CURVE OF A SIREM ASYNCHRONOUS MOTOR



TECHNICAL FEATURES

Designation and Motor type	Gearbox							Motor									
	Gearbox speed (RPM)	Nominal torque (daNm)	Nominal startup torque (daNm)	Maximum radial load* (daN)	Maximum axial load (daN)	Gearbox ratio	Output power (watts)	Motor torque (Ncm)	Motor speed (RPM)	Rated current under 230v (A)	Ia/Ih	Cd/Cn	Cos φ	Service class	Capacitor (µF)	Weight (kg)	
Single phase motors																	
R1C 450 P B	6.6	17	7.3	270	170	1/204	137	90	1375	1	2.2	0.43	0.93	S1	12	10	
R1C 450 P B	11.5	10	4.3	220	130	1/120	137	90	1375	1	2.2	0.43	0.93	S1	12	10	
R1C 450 P B	14	8	3.4	210	120	1/95	137	90	1375	1	2.2	0.43	0.93	S1	12	10	
R1C 450 P B	16	7.5	3.2	200	115	1/86	137	90	1375	1	2.2	0.43	0.93	S1	12	10	
R1C 250 P B	23	8.5	5.7	175	95	1/120	220	76	2750	1.67	1.84	0.67	0.85	S1	12	10	
R1C 250 P B	28	6.9	4.6	164	86	1/95	220	76	2750	1.67	1.84	0.67	0.85	S1	12	10	
R1C 250 P B	32	6.2	4.2	160	82	1/86	220	76	2750	1.67	1.84	0.67	0.85	S1	12	10	
R1C 250 P B	40	4.3	2.9	140	70	1/59	220	76	2750	1.67	1.84	0.67	0.85	S1	12	10	
R1C 250 P B	50	7.2	2.7	137	67	1/54	400	140	2760	2.44	2.6	0.38	0.96	S1	16	10	
R1C 250 P B	60	3.4	2.3	130	60	1/47	220	76	2750	1.67	1.84	0.67	0.85	S1	12	10	
R1C 250 P B	70	5.1	1.9	122	56	1/38.5	400	140	2760	2.44	2.6	0.38	0.96	S1	12	10	
R1C 250 P B	100	3.6	1.4	109	49	1/27	400	140	2760	2.44	2.6	0.38	0.96	S1	12	10	
R1C 250 P B	130	2.8	1.1	99	43	1/21	400	140	2760	2.44	2.6	0.38	0.96	S1	12	10	
Three phases motors																	
R3 450 P B	6.6	17	30.6	270	170	1/204	120	90	1350	0.6	3	1.8	0.72	S1	-	10	
R3 450 P B	11.5	10	18.0	220	130	1/120	120	90	1350	0.6	3	1.8	0.72	S1	-	10	
R3 450 P B	14	8	14.4	210	120	1/95	120	90	1350	0.6	3	1.8	0.72	S1	-	10	
R3 450 P B	16	7.5	13.5	200	115	1/86	120	90	1350	0.6	3	1.8	0.72	S1	-	10	
R3 250 P B	23	8.5	21.3	175	95	1/120	220	76	2750	0.9	4.2	2.5	0.86	S1	-	10	
R3 250 P B	28	6.9	17.3	164	86	1/95	220	76	2750	0.9	4.2	2.5	0.86	S1	-	10	
R3 250 P B	32	6.2	15.5	160	82	1/86	220	76	2750	0.9	4.2	2.5	0.86	S1	-	10	
R3 250 P B	40	4.3	10.8	140	70	1/59	220	76	2750	0.9	4.2	2.5	0.86	S1	-	10	
R3 250 P B	50	7.2	12.6	137	67	1/54	400	140	2750	1.5	4.2	1.75	0.81	S1	-	10	
R3 250 P B	60	3.4	8.5	130	60	1/47	220	76	2750	0.9	4.2	2.5	0.86	S1	-	10	
R3 250 P B	70	5.1	8.9	122	56	1/38.5	400	140	2750	1.5	4.2	1.75	0.81	S1	-	10	
R3 250 P B	100	3.6	6.3	109	49	1/27	400	140	2750	1.5	4.2	1.75	0.81	S1	-	10	
R3 250 P B	130	2.8	4.9	99	43	1/21	400	140	2750	1.5	4.2	1.75	0.81	S1	-	10	

* : Applied on the bearings (see detail C on shaft)