

Swimeo

Swim with no limits...



Advantages of Swimeo

The advantages of Swimeo

- Efficient : a thrust force of 250 m³/h (300m³/h at the exit)
- Comfortable: like a "river" flow
- Compact : only 30cm of depth (35cm for the Swimeo S1)
- Silent : no noise perceived by the swimmer
- No wall crossing
- No maintenance required


MADE IN FRANCE



Built-in version



Swimeo S1



Swimeo Classic

Built-in version

Swimeo built-in version is mainly intended for pool builders looking to integrate a counter-current swimming turbine in their offer. It is also intended for customers who have not yet completed the construction of their pool.

Swimeo is to be integrated behind a protective grid provided in the integration kit.

The integration kit for concrete pools includes a grid, fastening elements and seals*.

*Available for sale in October 2021



Swimeo S1

plug&play version

Swimeo outboard version is designed for customers who already have a pool. Its small size (only 35cm of depth) allows it to blend perfectly into the landscape of your pool.

Swimeo S1 fits into any pool* and is easily installed in 1 hour**. No structural work is required for its installation.

*If space constraints are respected. A minimum water depth of 110cm is required to fully immerse Swimeo

** SIREM recommends Swimeo to be installed by a professional pool builder

What kind of swimmer are you?

A solution for the whole family

The products of the Swimeo range provide a larger flow than the current solutions of the market (the width of the flow is 75 cm at a distance of 1,5m).

Each swimmer will be able to control the power of the flow by adjusting the speed and by positioning himself more or less close to the turbine.

A solution for every swimmer

The Swimeo water flow allows you to work all the swims, from the beginner level to the amateur level.



Stroke

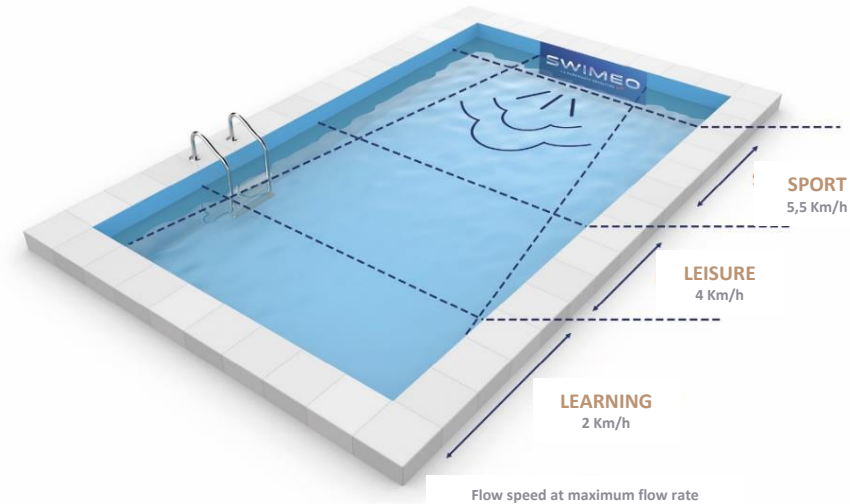


Breast stroke

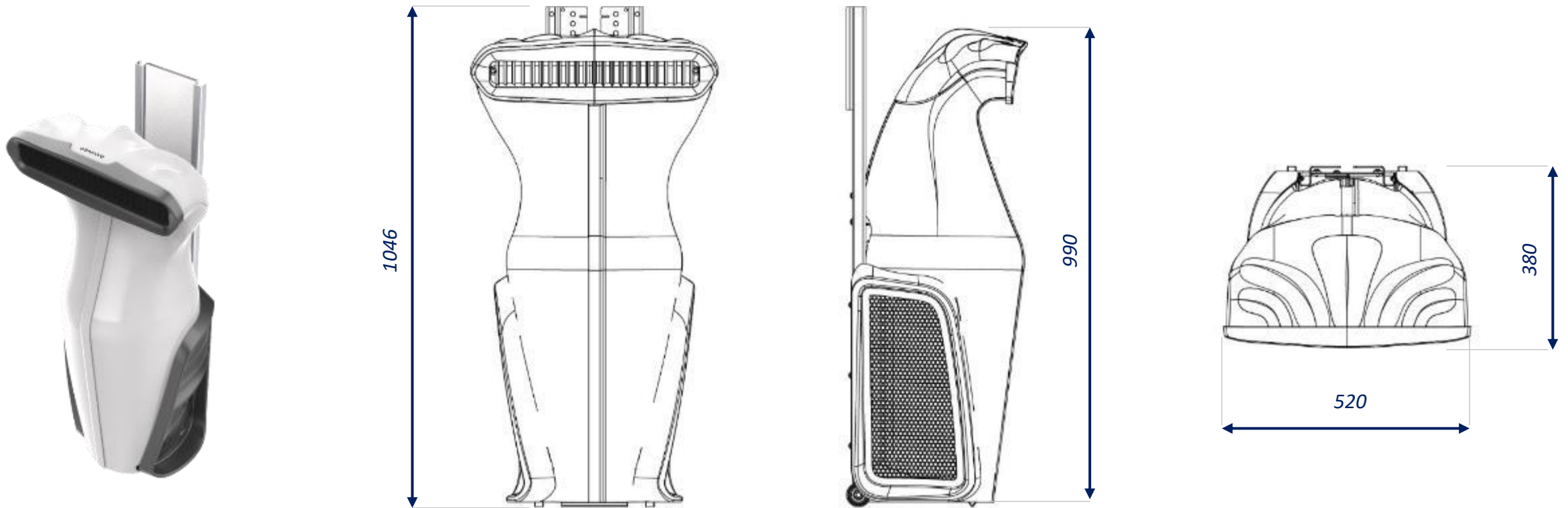


Back stroke

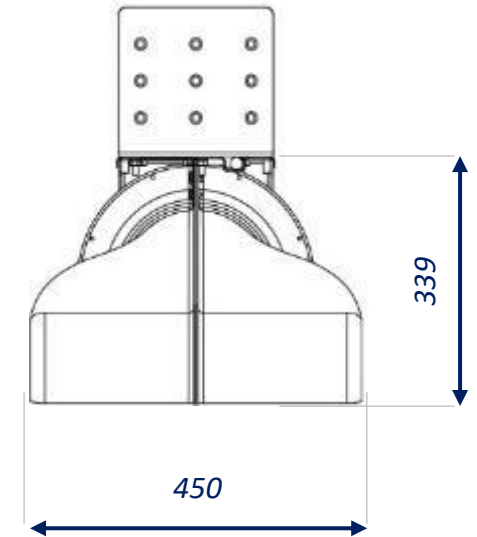
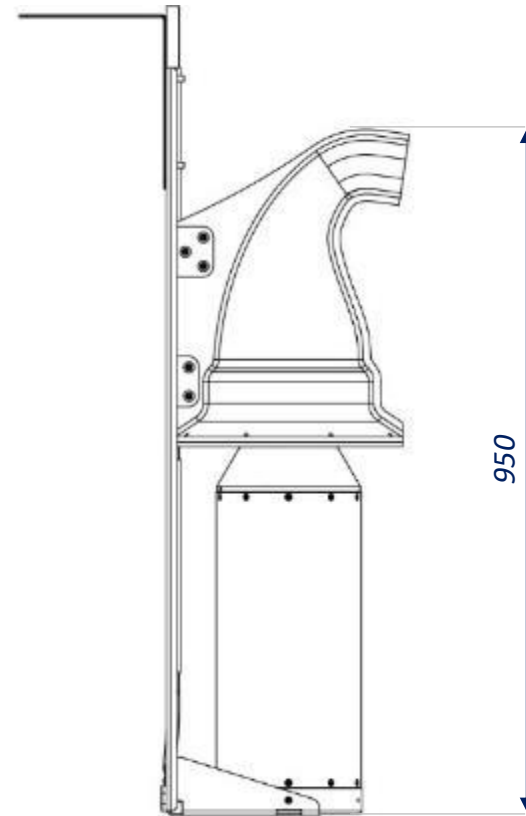
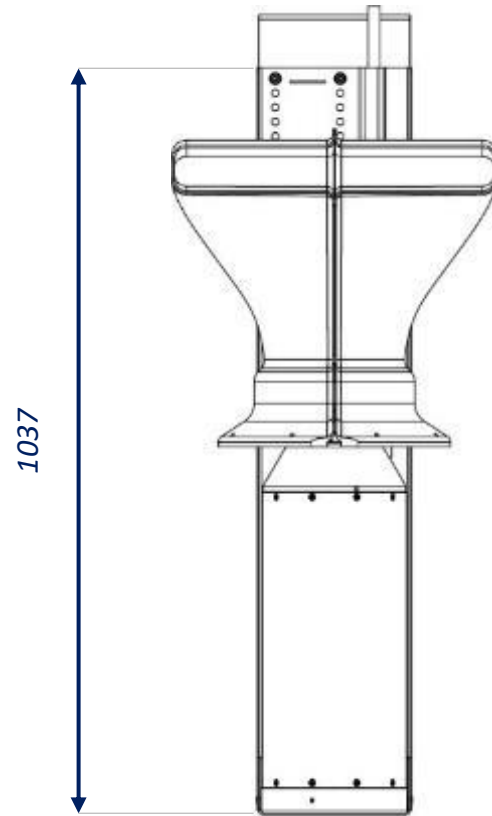
From sportive swimmers (1 minute and 50 seconds per 100m) to amateur swimmers (3 minutes).



Dimensions – Swimeo S1 Plug&Play version

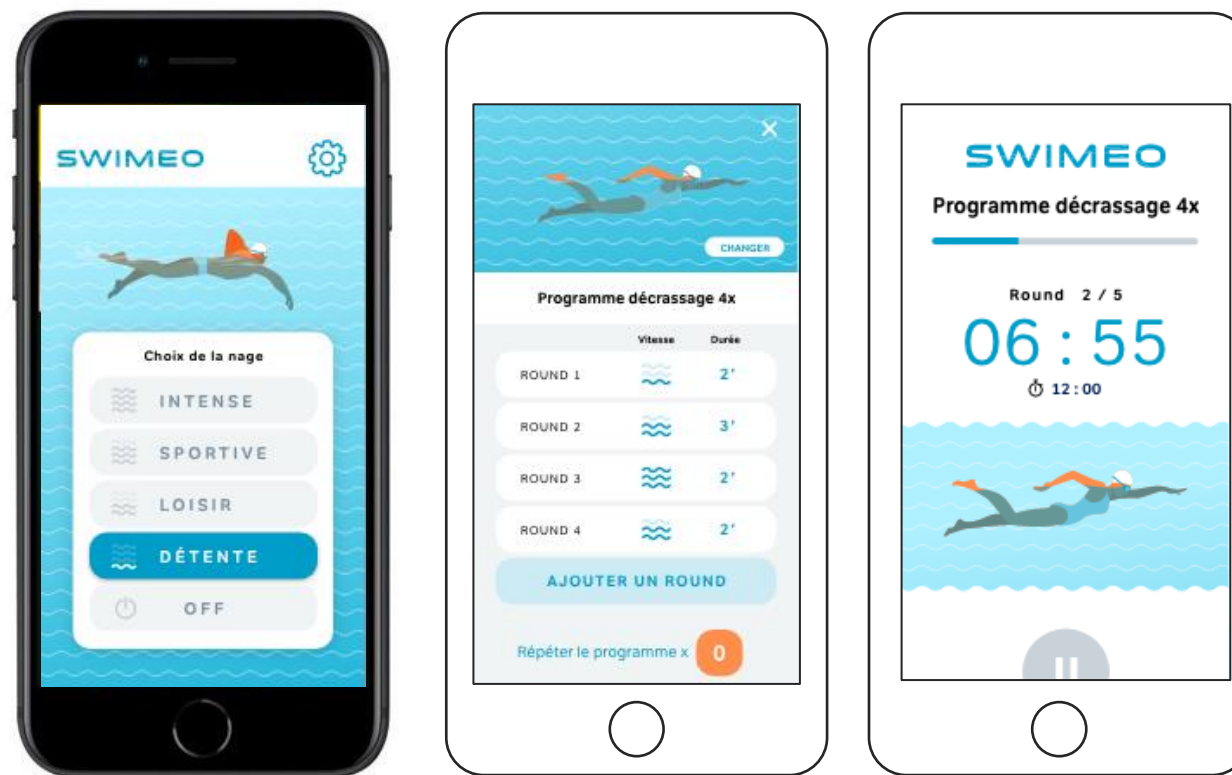


Dimensions – Swimeo built-in version



Swimeo smartphone App

- The Swimeo range comes with a smartphone App* compatible with Android and iOS.
- With the Swimeo app you can control or create training programs.
- Choose the speed, duration and number of repetitions.
- Alternate between intense and recovery periods.



*Available in May 2021

What they say about it...

What Swimeo testers say :

"Quiet"

"Better than push-ups"

"Real gliding sensation (vs. pool bungee)"

"I finally enjoy swimming in my pool"

"A product suitable for the whole family"

"A very pleasant sensation of swimming".



Discover Swimeo in action...



[Demo Video 1](#)

[Demo Video 2](#)

[Demo Video 3](#)

[Demo Video 4](#)

[Demo Video 5](#)

[Demo Video 6](#)

**Study conducted from July to September 2020 with a panel of 30 swimmers.*

Integration kit for concrete pool

- Swimeo can be provided - as an option - with the integration kit for concrete pools.
- The kit includes a grid to conceal the turbine and prevent foreign objects from entering the turbine.
- The integration of Swimeo is the responsibility of the installer. We strongly recommend that you work with a pool professional who can advise you on the best integration principle.

